

---

**MR. SOHO**  
**WALL TYPE CABINET**

---



MR. SOHO cabinets are simple, **small sized** wall type **network** installation solutions with low cost, aesthetic appearance and robust structure.



## AESTHETIC VIEW

It accords with the environment it is applied by the aesthetic and **decorative** appearance.

Front glass door is **4mm**, smoke-colored, antistatic, smoothed, tempered and has a high resistance against fracture. It presents full length and locked structure.

## ERGONOMICS

Opening direction of the front door with cylindrical **barrel** locking may be easily changed. Glass door module owns a special **u type thread hinge** system.

## WRAPPING OPTIONS

Might be delivered **mounted** or **dismounted**.

## DIVERSE WIDTH AND DEPTH OPTIONS

MR. SOHO Cabinets offer two different width, **19"** and **10"**, and 2 different depth, **400mm** and **300mm** options.



STANDARDS AND COMPLIANCES
ISO9001:2008 Quality Management System
IEC 297-1, 19" mounting standard
IEC 297-2, Overall cabinet dimensions
TS EN 61587-1 Standard.
Environment Friendly
%100 recyclable.

## FIELD OF USE

Offices (home, work), Departments (banks, government departments), Schools, Hospitals, Factories.

## INTENDED USE

Assembly and installation of small systems.  
Intermediary distribution frame  
Network floor distributions  
Wall type network installation applications.

## REASON FOR PREFERENCE

They are low cost network solutions. They are readily present in adequate amounts at stocks.



## ACTIVE/PASSIVE VENTILATION OPTIONS

By attaching ventilation module with 2 fans maximum to 2 ventilation holes at the upper chassis of the 19" cabinets, active ventilation is achieved. In cases where no fan module is attached, these holes enable ventilation of the cabinet by passive ventilation.

## ALTERNATIVE CABLE INLETS

A cable entry hole is provided on each of the upper and lower chassis for cable inlets. One of these holes houses a cable passage brush whereas the other houses a PCV lid. Cable passage brush may be displaced and cable inlet is enabled wherever desired and dust inlet is minimized during entrance of the cables thanks to the brushed structure.



## ADJUSTABLE DEVICE INSTALLATION RAILS

Device installation rails are movable across the depth of the cabinet and fixed at the desired depth according to the devices to be used inside the cabinet. Internal space is used in this way, with maximum efficiency.

Thanks to the cable entry slots on the device installation rails, cabling of the devices is managed professionally in an ordered manner.

## SPACIOUS INTERNAL VOLUME

It meets all cabling requirements of the network equipments such as Switch, Router, Patch Panel, Plug and etc.



**MODULAR STRUCTURE**

All demounted SOHO cabinets are wrapped as one-piece, demounted and pursuing safety of the transportation.

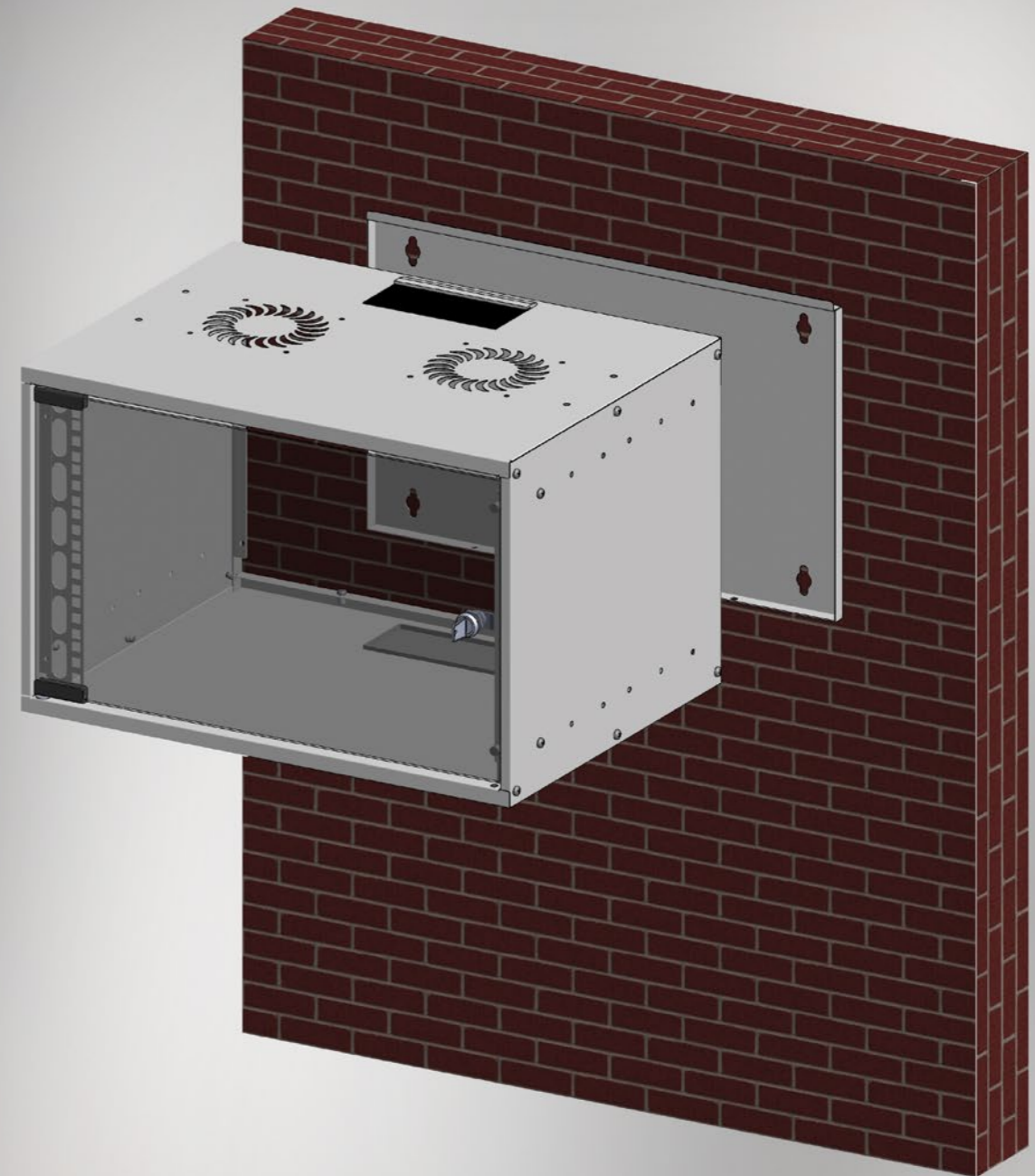


**DEMOUNTED DELIVERY ADVANTAGE**

Demounted wrapping option provides savings in dispatch and stocking costs.

**DEMOUNTED COST ADVANTAGE**

Demounted wrapping option saves space by 75% in dispatch and stocking thereby providing cost advantage by 75%.



**INSTALLATION ON TABLE**

Owing to the easily mountable design of the wall type cabinet, installation of the cabinet may be easily achieved on the floor or on the table. Installation technicians carry out the work in a comfortable manner.

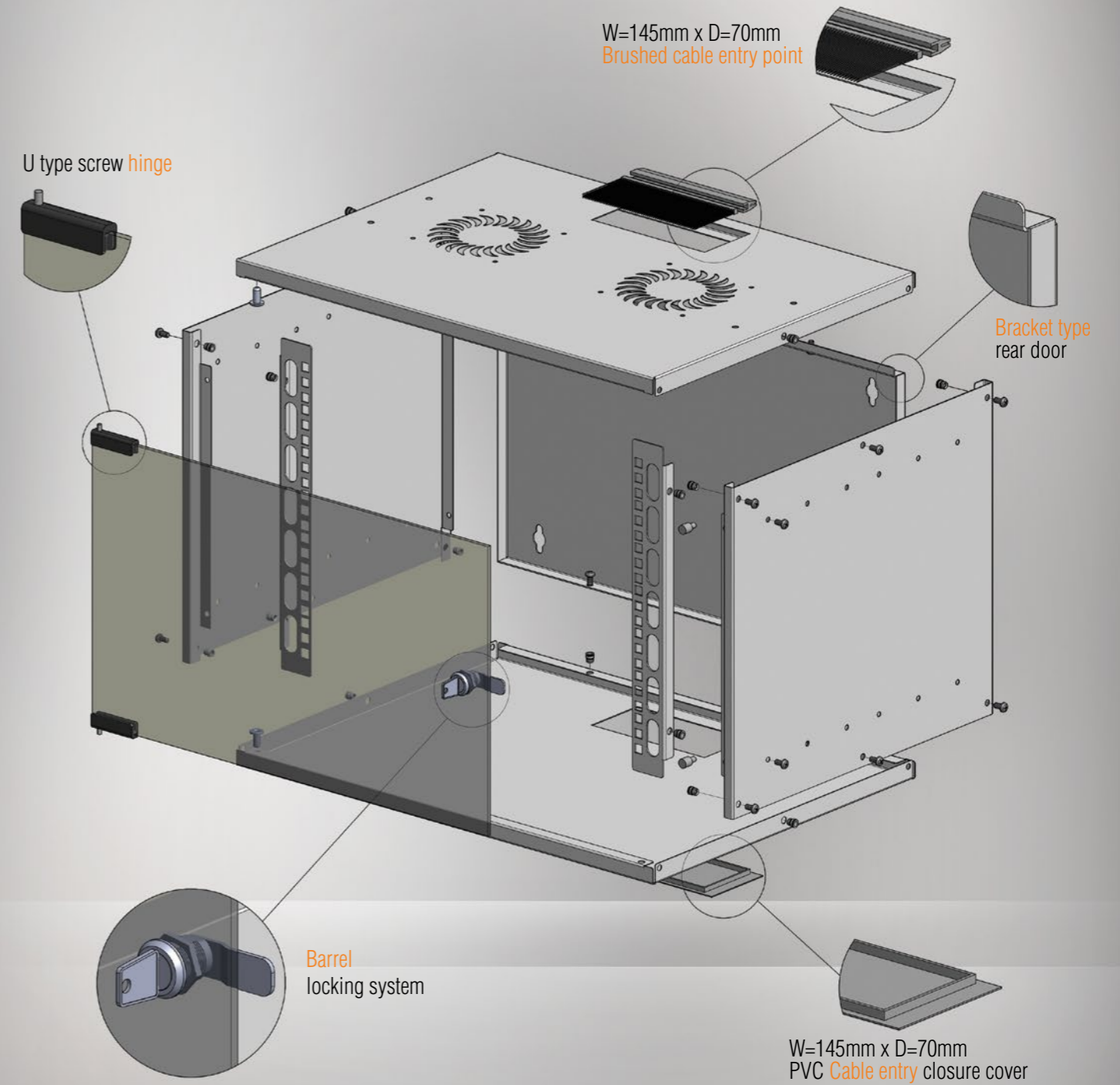
Cabinet may be hanged onto the wall by hooking onto the rear door previously mounted on the wall, after completion of the inner installation. One technician is sufficient for mounting onto the wall within a short period, thanks to its easily installable structure.

# MR. SOHO 19" WALL TYPE CABINET

WIDTH **W:** 535mm  
DEPTH **D:** 300/400mm

## EXPLODED VIEW

WIDTH **W:** 535mm  
DEPTH **D:** 300/400mm



### COLOR OPTIONS

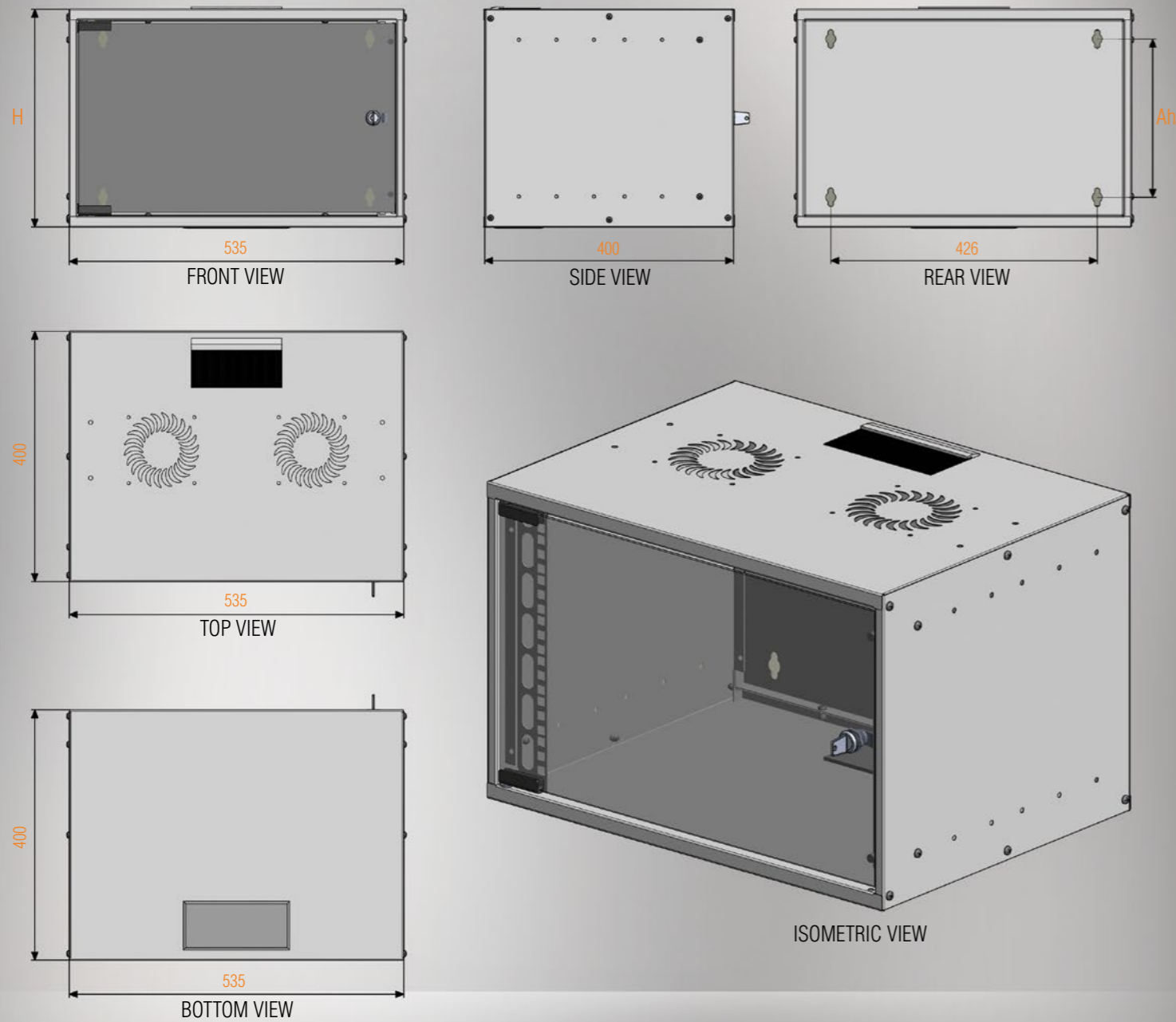


LOADING CAPACITY : 80kg

## CONSTRUCTION DRAWINGS

WIDTH W: 535mm

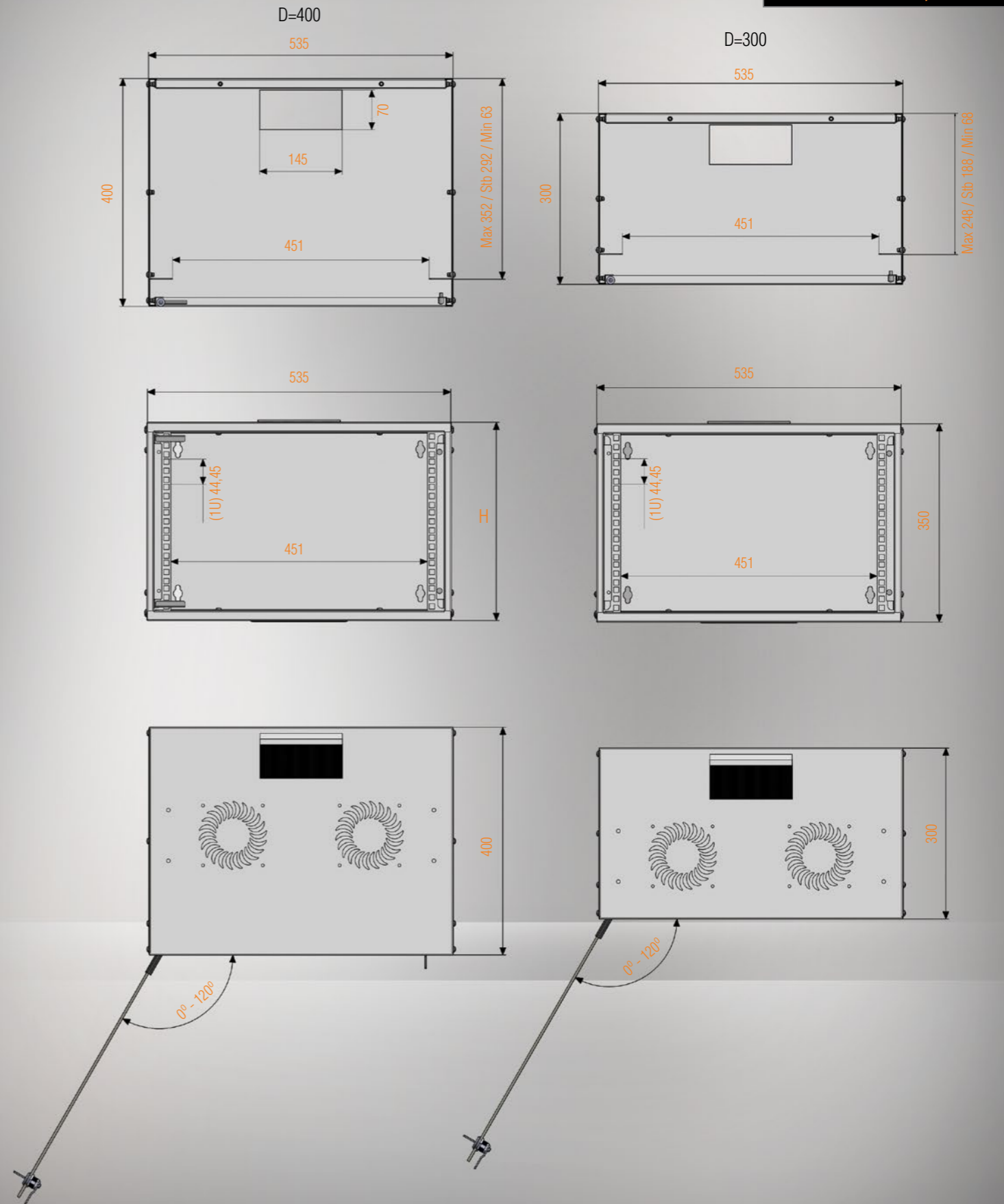
DEPTH D: 300/400mm



## CONSTRUCTION DRAWINGS

WIDTH W: 535mm

DEPTH D: 300/400mm



## MR. SOHO 19" WALL TYPE CABINETS W=535mm D=300mm / 400mm

Product Code	Product Description	Measurement (U)	Product Dimensions WxDxH (mm)	Width Between Rails	AH Wall Mounting Hole Gaps (mm)	Measurement (mm)	Package Dimensions WxDxH (mm)	Number in the Package (pcs)	Product Net Weight (kg)	Product Gross Weight (kg)	Number on the Pallet (pcs)	Pallet Dimensions WxDxH (mm)	Pallet Weight (kg)	Depth: Between Rail and Rear Panel (mm)
MR.SOH07U30DE:XX	7U W=535mm D=300mm Unassembled SOHO	7U	535x300x350	19"	253	314	580x440x85	1	8,5	9,5	60	1000x1200x1550	605	245
MR.SOH07U40DE:XX	7U W=535mm D=400mm Unassembled SOHO	7U	535x400x350	19"	253	314	580x440x85	1	9,5	10,5	60	1000x1200x1550	665	290
MR.SOH09U40DE:XX	9U W=535mm D=400mm Unassembled SOHO	9U	535x400x440	19"	342	403	580x455x105	1	11,2	12,2	60	1000x1200x1850	770	290
MR.SOH12U40DE:XX	12U W=535mm D=400mm Unassembled SOHO	12U	535x400x572	19"	475	536	615x545x105	1	13,6	14,6	60	1150x1250x1850	910	290
MR.SOH07U30MN:XX	7U W=535mm D=300mm Unassembled SOHO	7U	535x300x350	19"	253	314	550x430x400	1	8,5	9,5	20	1000x1200x2270	225	245
MR.SOH07U40MN:XX	7U W=535mm D=400mm Unassembled SOHO	7U	535x400x350	19"	253	314	550x430x400	1	9,5	10,5	20	1000x1200x2270	245	290
MR.SOH09U40MN:XX	9U W=535mm D=400mm Unassembled SOHO	9U	535x400x440	19"	342	403	550x430x450	1	11,2	12,2	16	1000x1200x2070	230	290
MR.SOH12U40MN:XX	12U W=535mm D=400mm Unassembled SOHO	12U	535x400x572	19"	475	536	550x430x630	1	13,6	14,6	12	1000x1200x2150	210	290

XX= Color Code, 02 means Light Grey RAL 7035 and 01 means Black RAL 9005, the code is added by the customer at the order.

# MR.SOHO MOST USED ACCESSORIES

## RACK MOUNT SHELVES

		MR.SOHO CABINETS	
Product Code	Product Description	MR. SOHO 535x300	MR. SOHO 535x400
MR.RAK1U20.XX	1U D=200mm Rack Mount Shelf	•	•
MR.RAK1U25.XX	1U D=250mm Rack Mount Shelf		•
MR.RAK1U30.XX	1U D=300mm Rack Mount Shelf		•

XX= Color Code, 02 means Light Grey RAL 7035 and 01 means Black RAL 9005, the code is added by the customer at the order.

COLOR OPTIONS  
 RAL 7035 LIGHT GREY  RAL 9005 BLACK

## 1U 19" HOOK ORGANIZER

		MR.SOHO CABINETS	
Product Code	Product Description	MR. SOHO 535x300	MR. SOHO 535x400
MR.OKP1U19.XX	1U 19" cable organizer panel with 5 hooks	•	•

XX= Color Code, 02 means Light Grey RAL 7035 and 01 means Black RAL 9005, the code is added by the customer at the order.

COLOR OPTIONS  
 RAL 7035 LIGHT GREY  RAL 9005 BLACK

## 19" FAN MODULES

		MR.SOHO CABINETS	
Product Code	Product Description	MR. SOHO 535x300	MR. SOHO 535x400
MR.FAN1ONXX	1fan, on/off controlled fan module	•	•
MR.FAN1WDX	1fan, built-in thermostat controlled fan module	•	•
MR.FAN2ONXX	2fans, on/off controlled fan module	•	•
MR.FAN2WDX	2fans, built-in thermostat controlled fan module	•	•

XX= Color Code, 02 means Light Grey RAL 7035 and 01 means Black RAL 9005, the code is added by the customer at the order.

COLOR OPTIONS  
 RAL 7035 LIGHT GREY  RAL 9005 BLACK

## PLUG MODULES

		MR.SOHO CABINETS	
Product Code	Product Description	MR. SOHO 535x300	MR. SOHO 535x400
MR.PRZ1U6S.SC	1U 19" 6 sockets plug with fuse	•	•

## FIXING HARDWARE

		MR.SOHO CABINETS	
Product Code	Product Description	MR. SOHO 535x300	MR. SOHO 535x400
MR.KFS20	M6 cage nut set and mounting screws, 1set=20pcs.	•	•

